
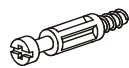

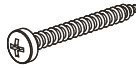
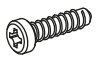




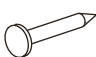
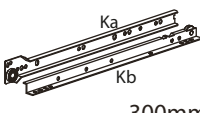
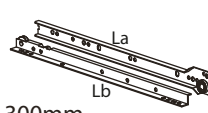
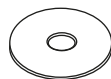

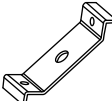

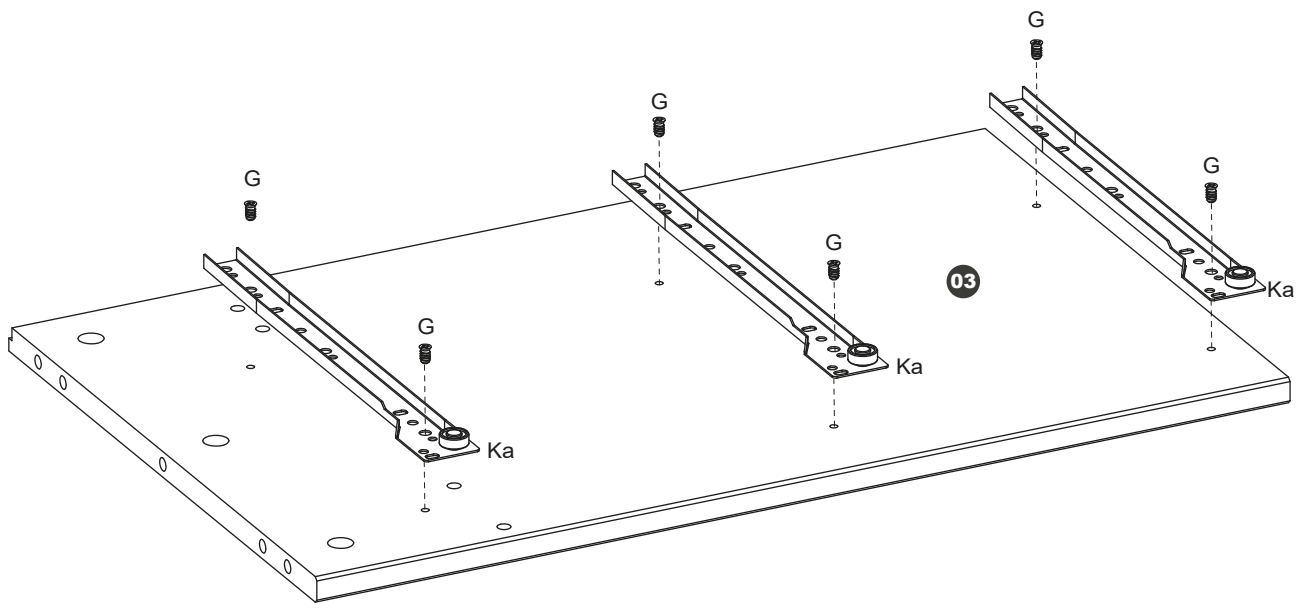
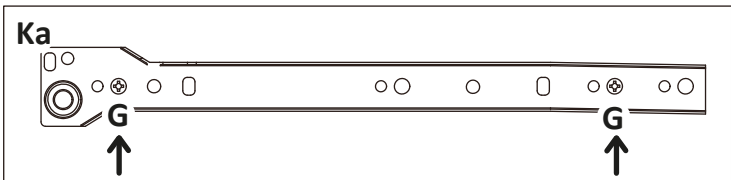
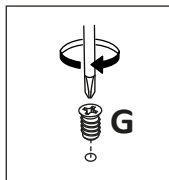


4x

3x

|  |  |  |  |   |
|--|--|--|--|---|
| <b>A=62</b><br><br>8,0 x 30mm | <b>B=10</b><br><br>6,0 x 10mm | <b>C=28</b><br><br>4,0 x 40mm | <b>D=60</b><br><br>3,5 x 30mm  | <b>E=08</b><br><br>3,5 x 16mm  |
| <b>F=44</b><br><br>3,0 x 16mm | <b>G=28</b><br><br>6,0 x 10mm | <b>H=04</b><br><br>7,0 x 50mm | <b>I=10</b><br><br>8,0 x 8,0mm | <b>J=42</b><br><br>8,0 x 8,0mm |
| <b>K=07</b><br><br>300mm      | <b>L=07</b><br><br>300mm      | <b>M=04</b><br><br>30mm       | <b>N=02</b><br><br>300mm       | <b>O=04</b><br><br>30mm        |
| <b>P=01</b><br><br>30mm       |  |  |  |   |

**1**



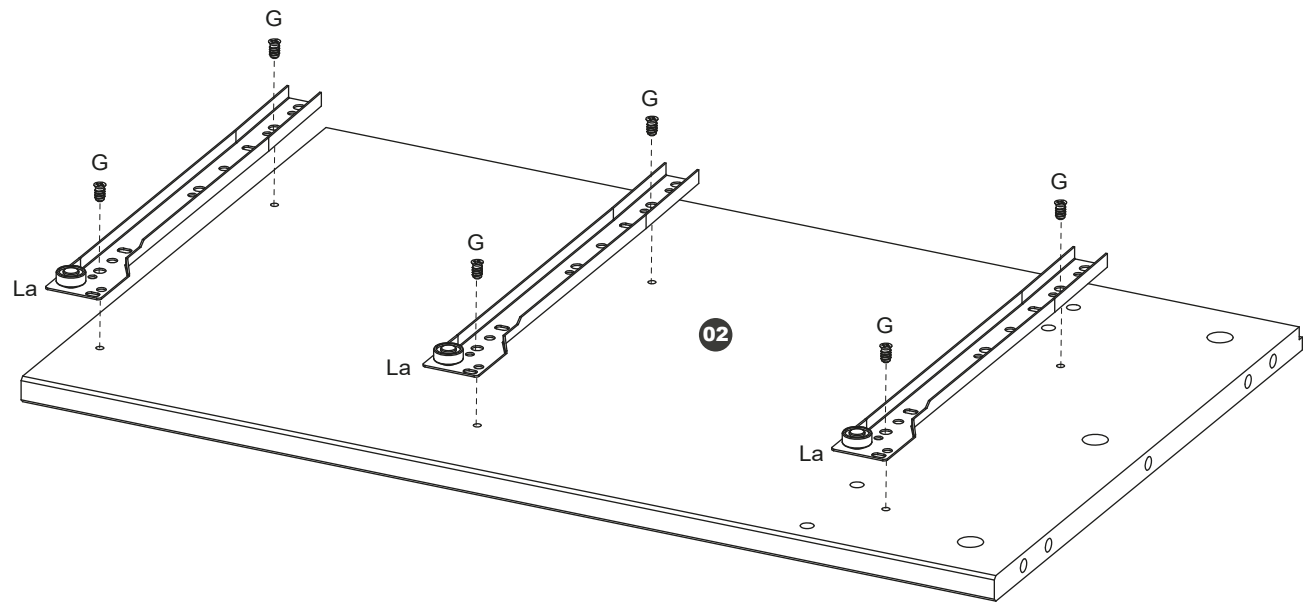
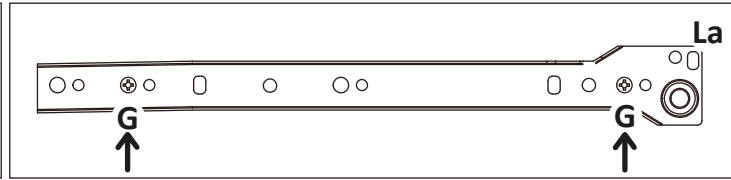
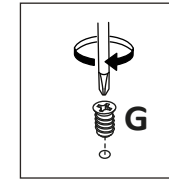
**G= 06**

6,0 x 10mm

**Ka=03**

300mm

**2**



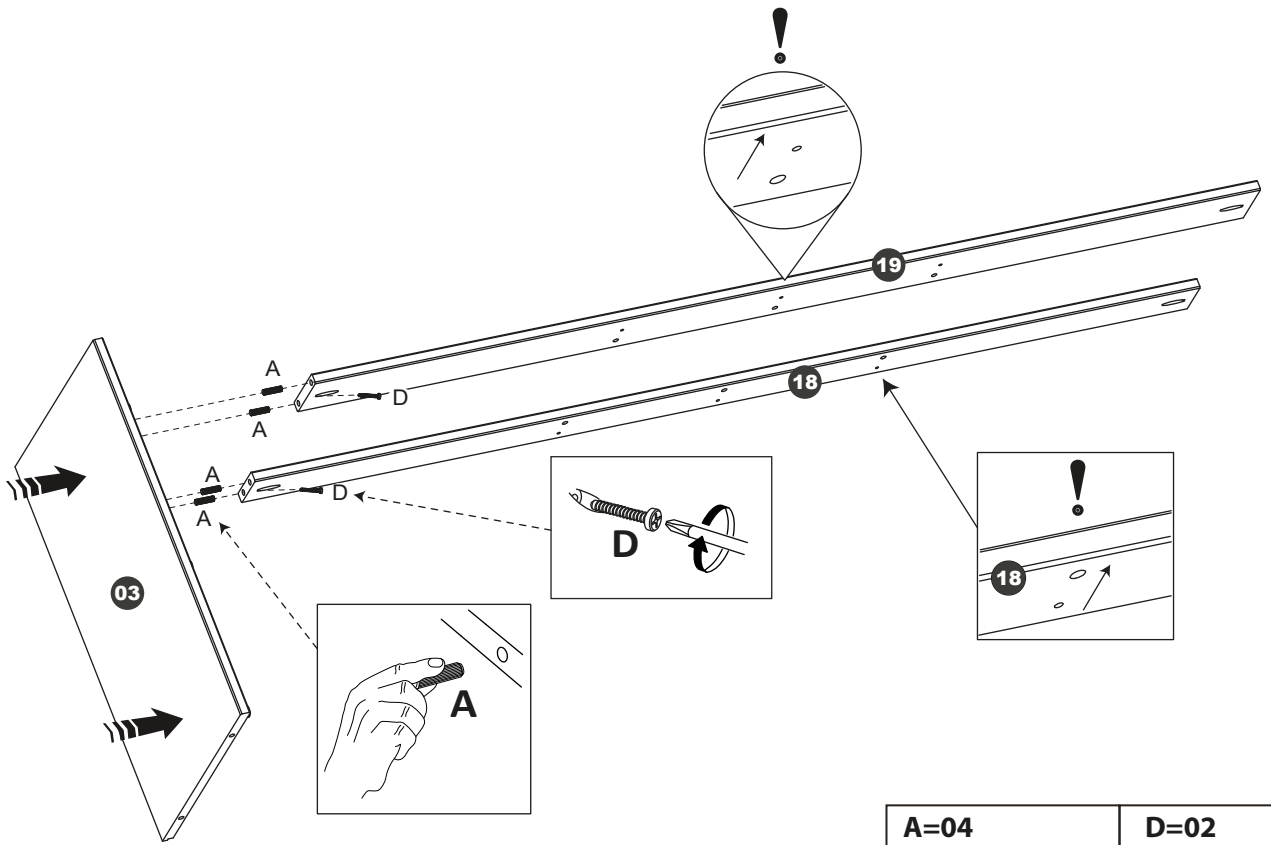
**G= 06**

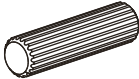

6,0 x 10mm

**La=03**

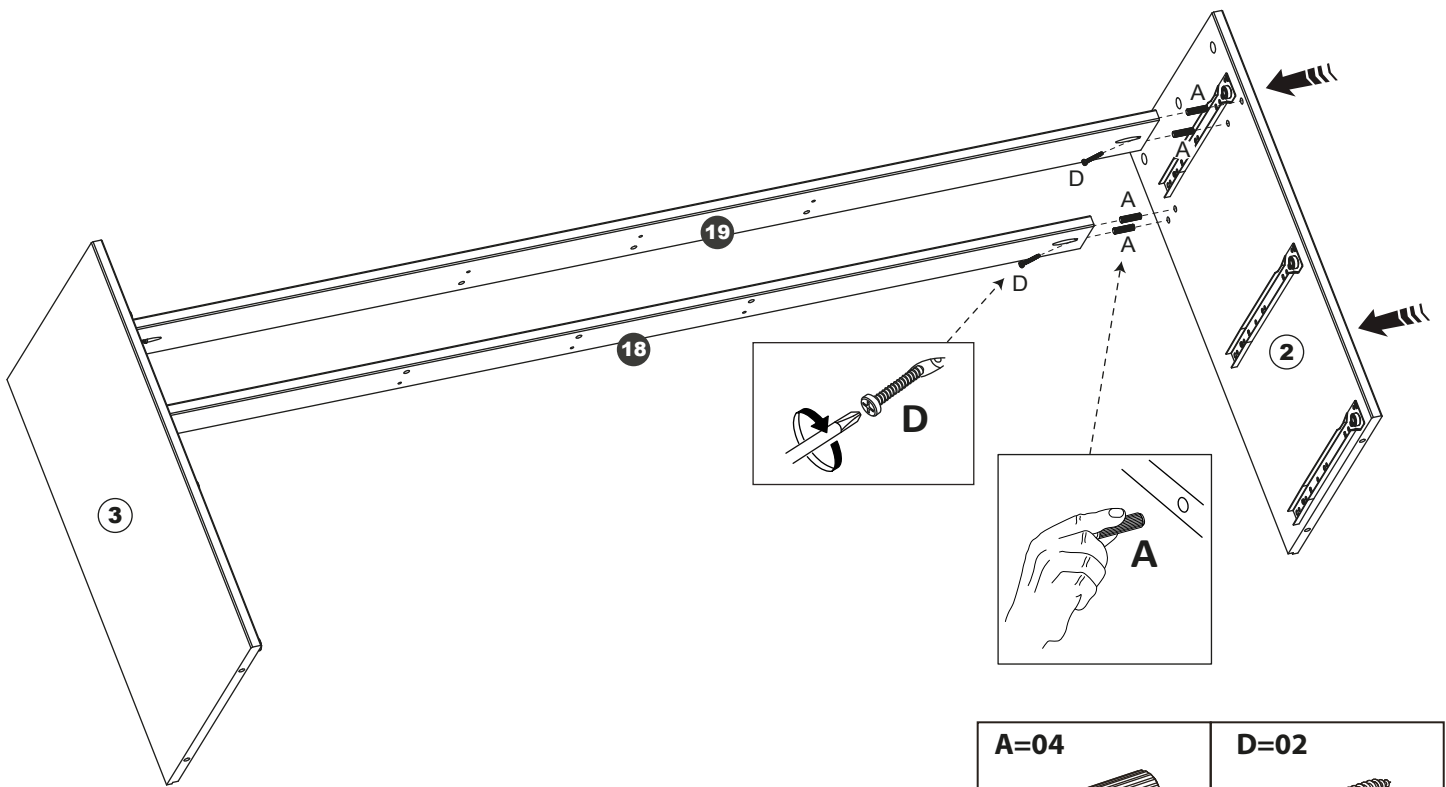
300mm



**3**



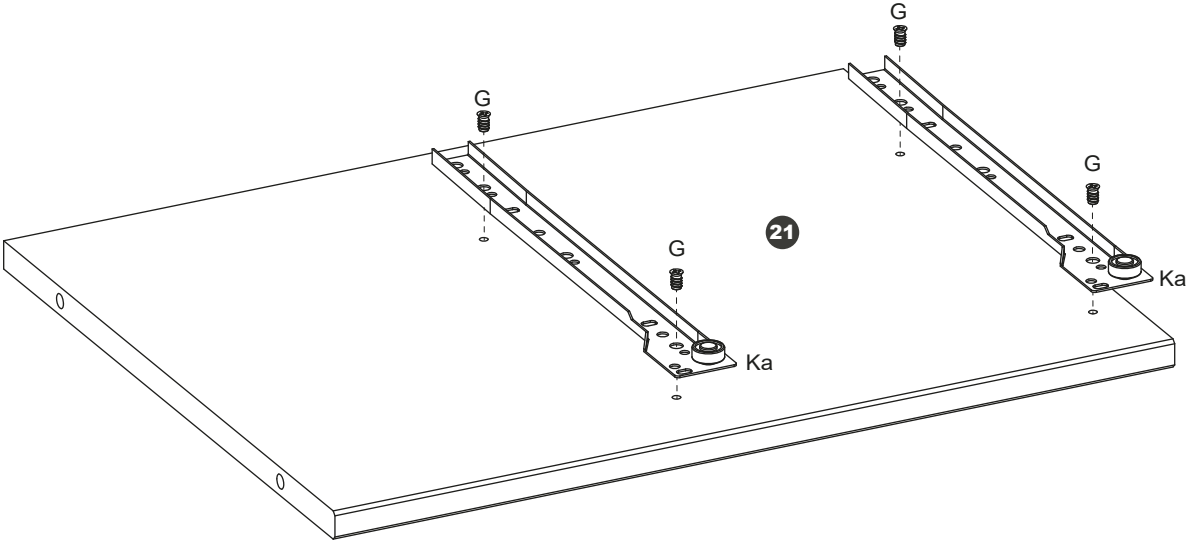
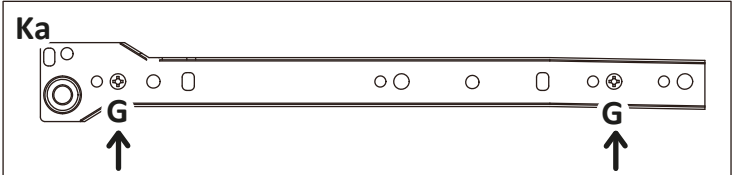
|   |   |
|---|---|
| <b>A=04</b><br><br>8,0 x 30mm | <b>D=02</b><br><br>3,5 x 30mm |
|---|---|

**4**



|  |  |
|--|--|
| <b>A=04</b><br><br>8,0 x 30mm | <b>D=02</b><br><br>3,5 x 30mm |
|--|--|

**5**



**G= 04**

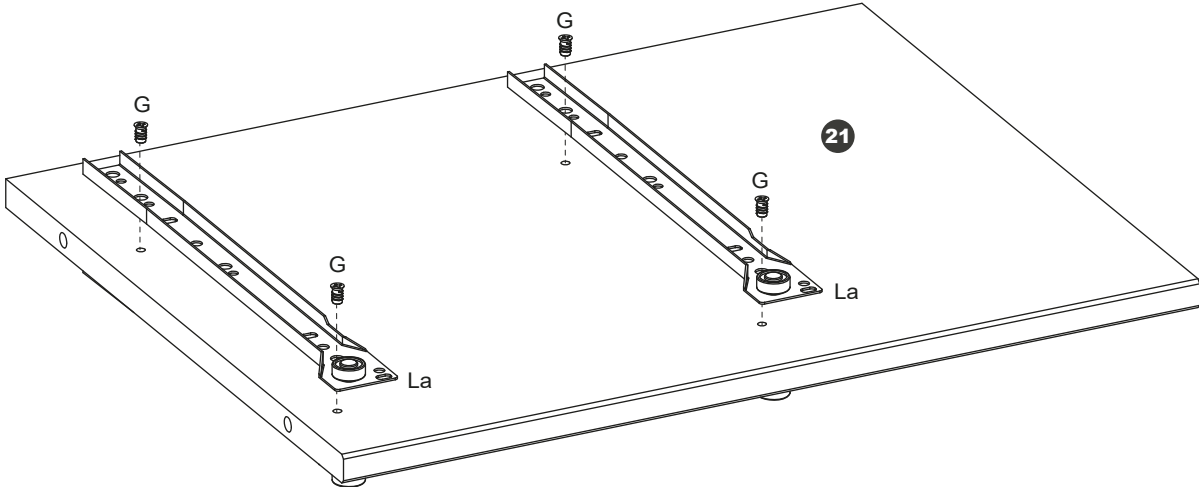
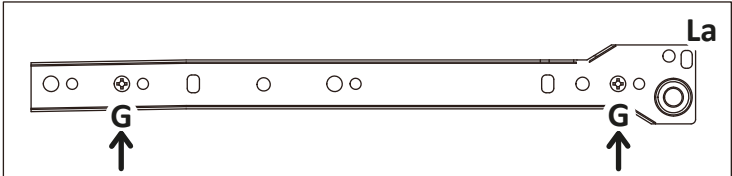
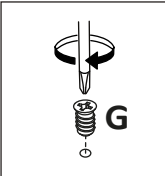
6,0 x 10mm

**Ka=02**

300mm



**6**



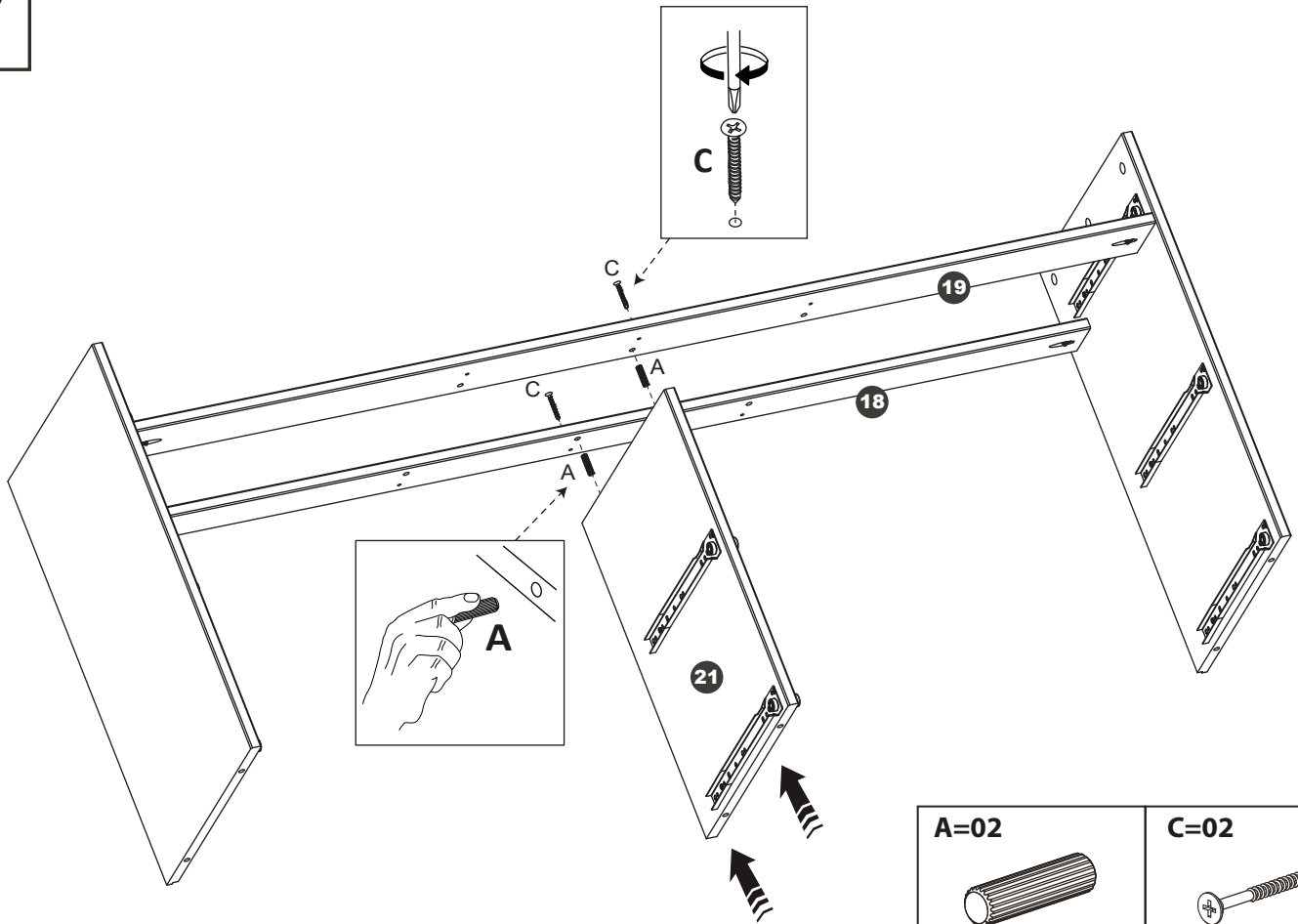
**G= 04**



6,0 x 10mm

**La=02**

300mm

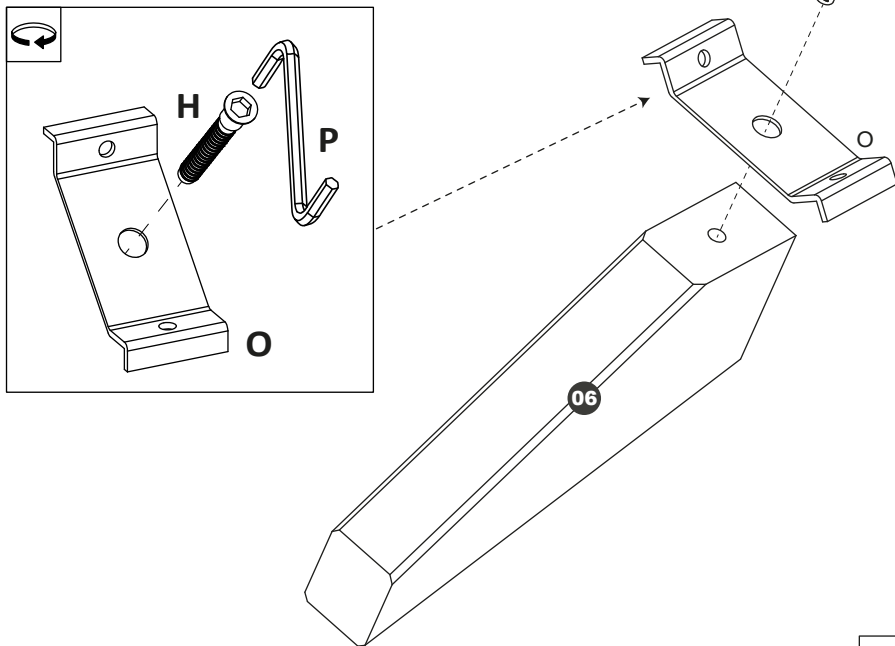
7


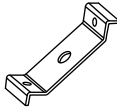
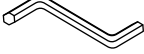


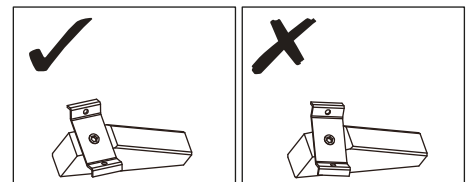
|   |   |
|---|---|
| <p><b>A=02</b></p>  <p>8,0 x 30mm</p> | <p><b>C=02</b></p>  <p>4,0 x 40mm</p> |
|---|---|

8

4x

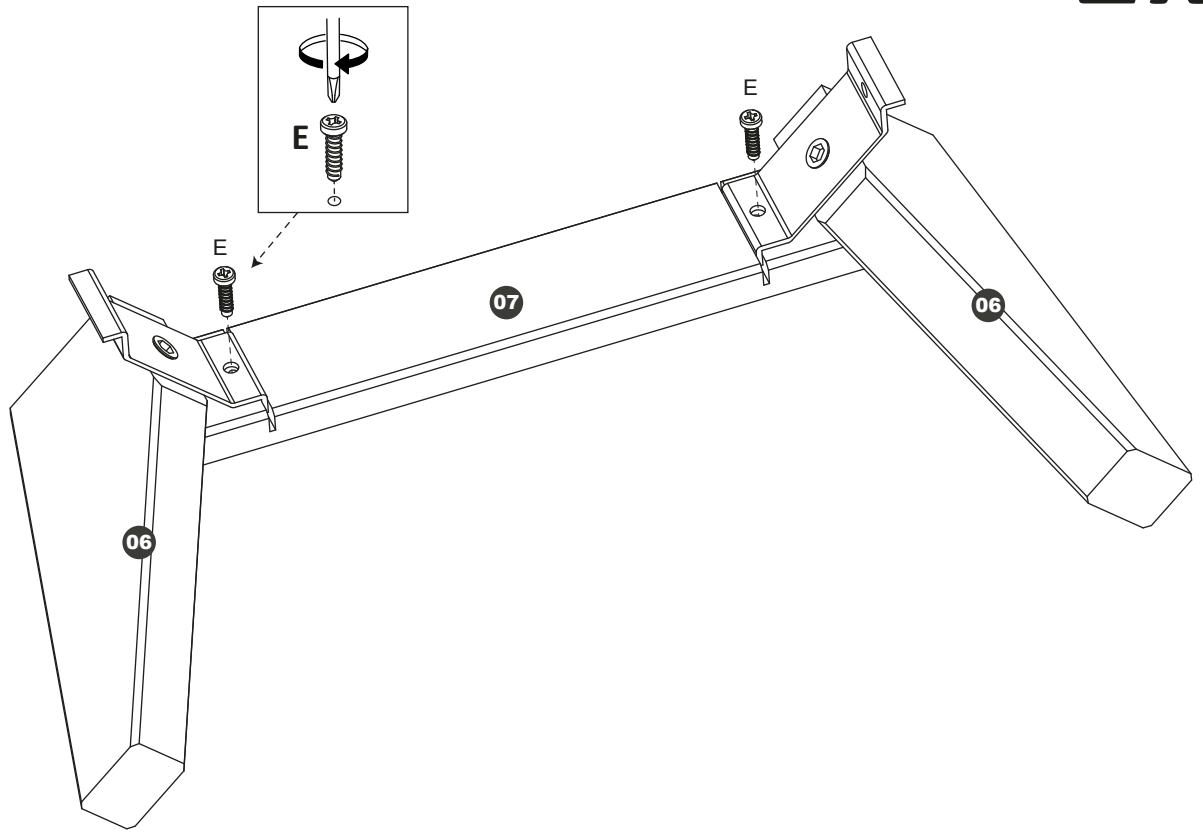


|  |  |  |
|--|--|--|
| <p><b>H=04</b></p>  <p>7,0 x 50mm</p> | <p><b>O=04</b></p>  | <p><b>P=01</b></p>  |
|--|--|--|



9

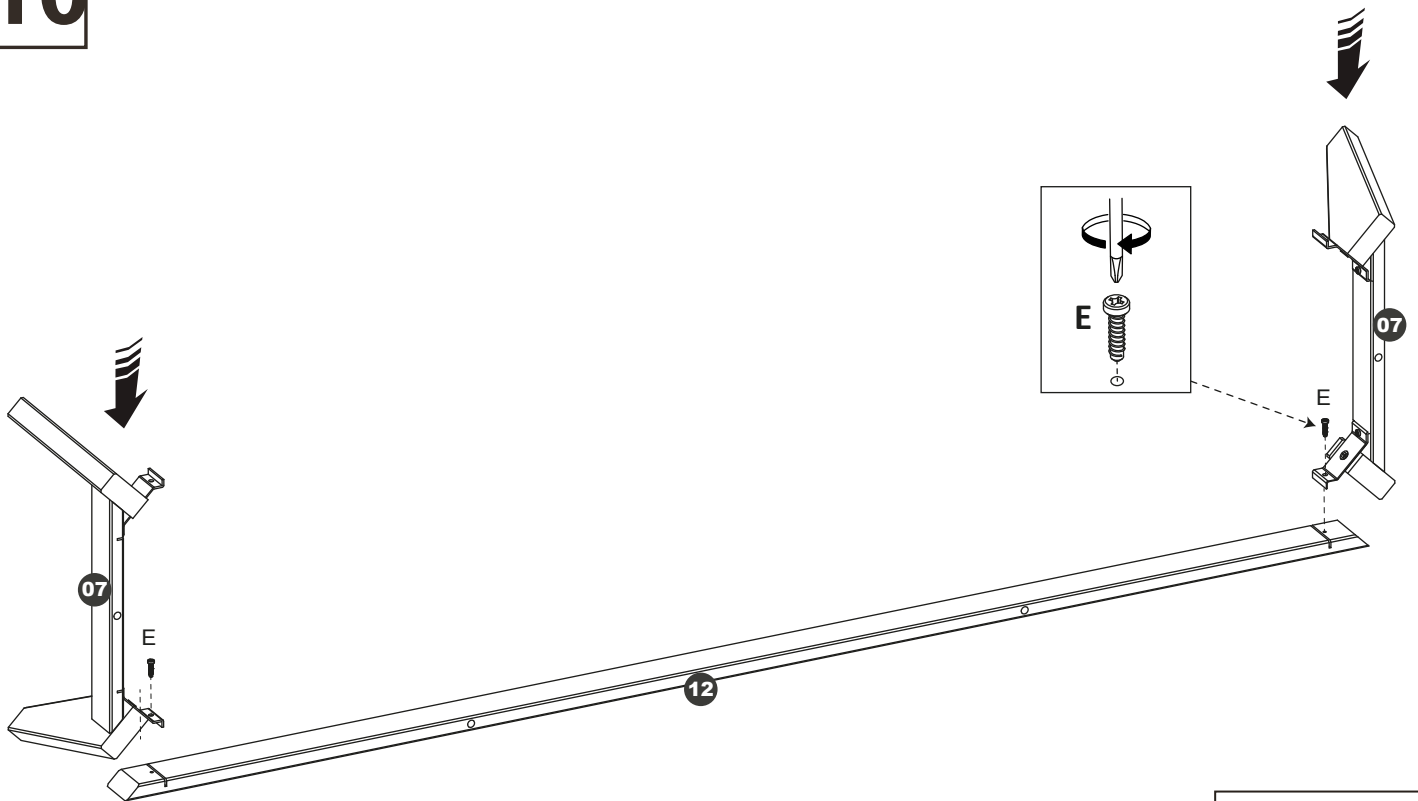
2x



**E=04**

3,5 x 16mm

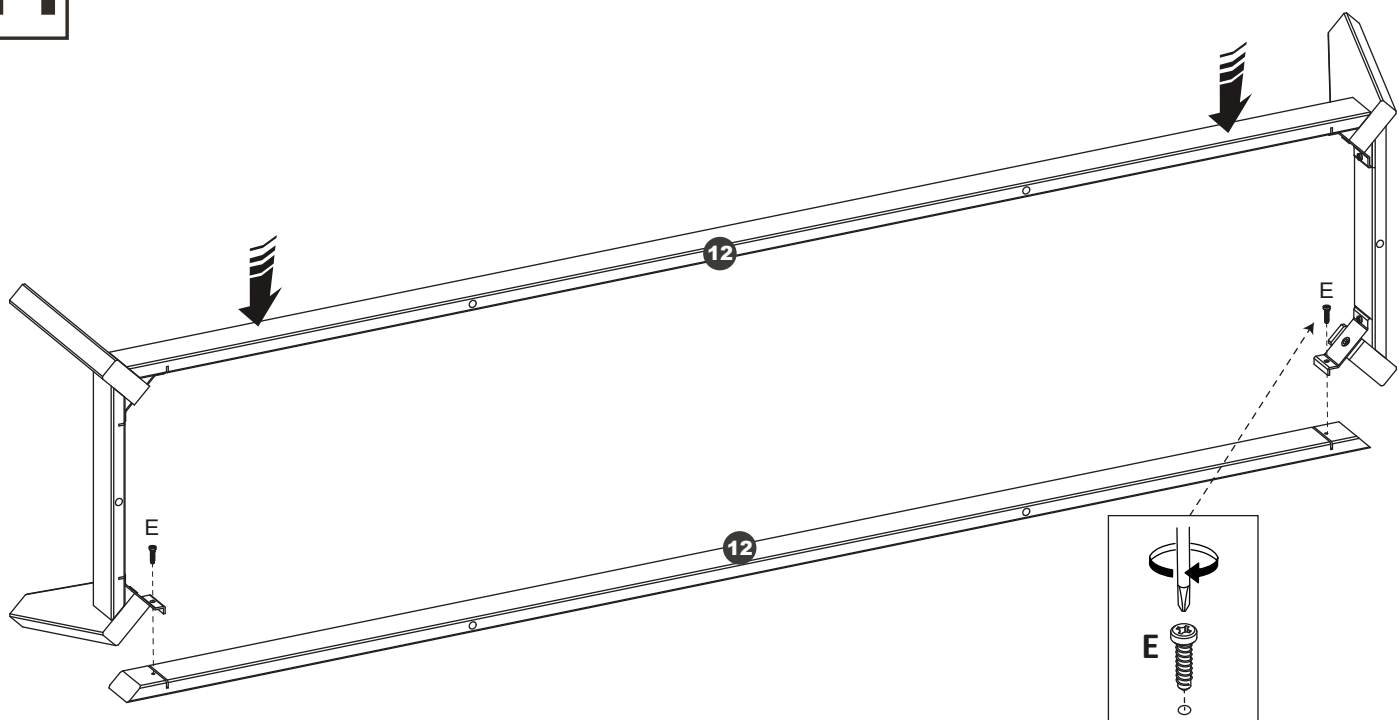
10



**E=02**

3,5 x 16mm

11

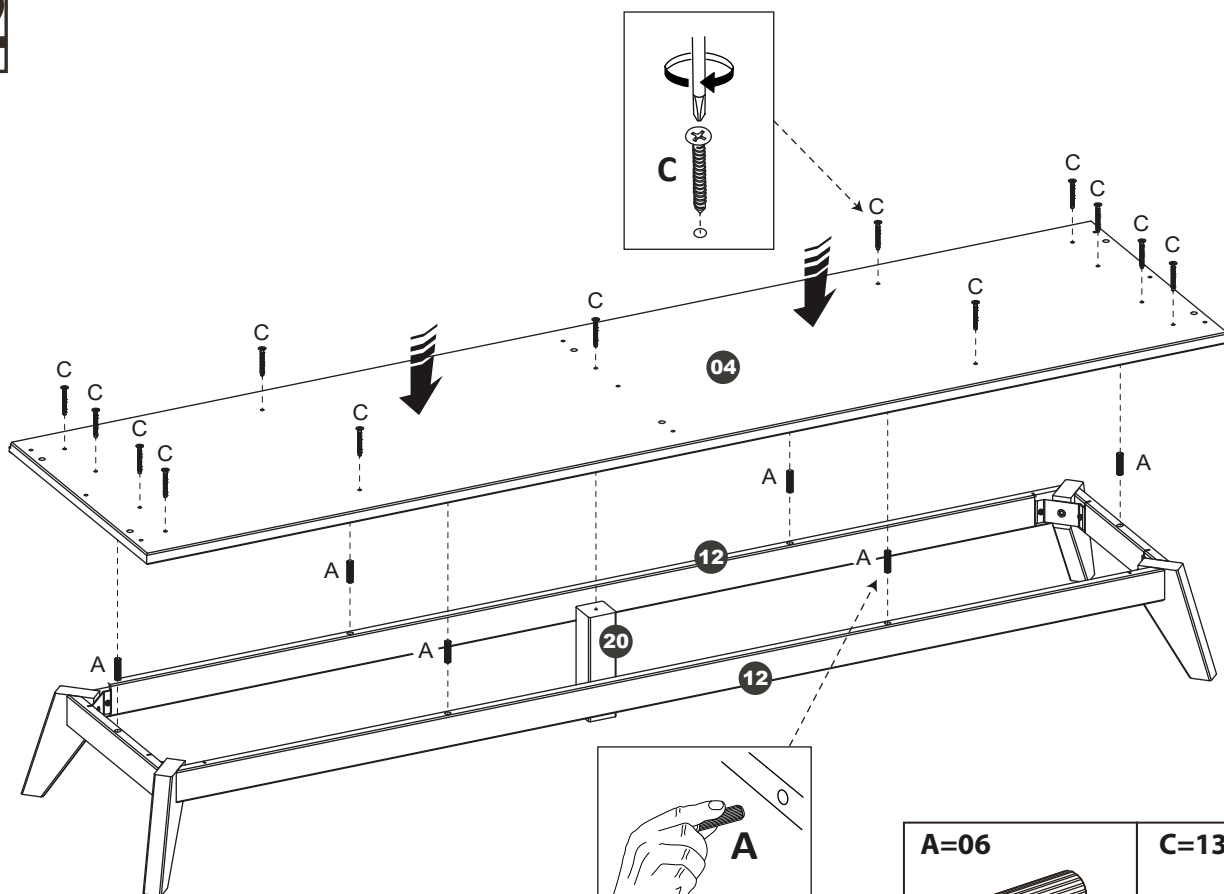


E=02

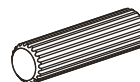


3,5 x 16mm

12

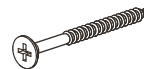


A=06



8,0 x 30mm

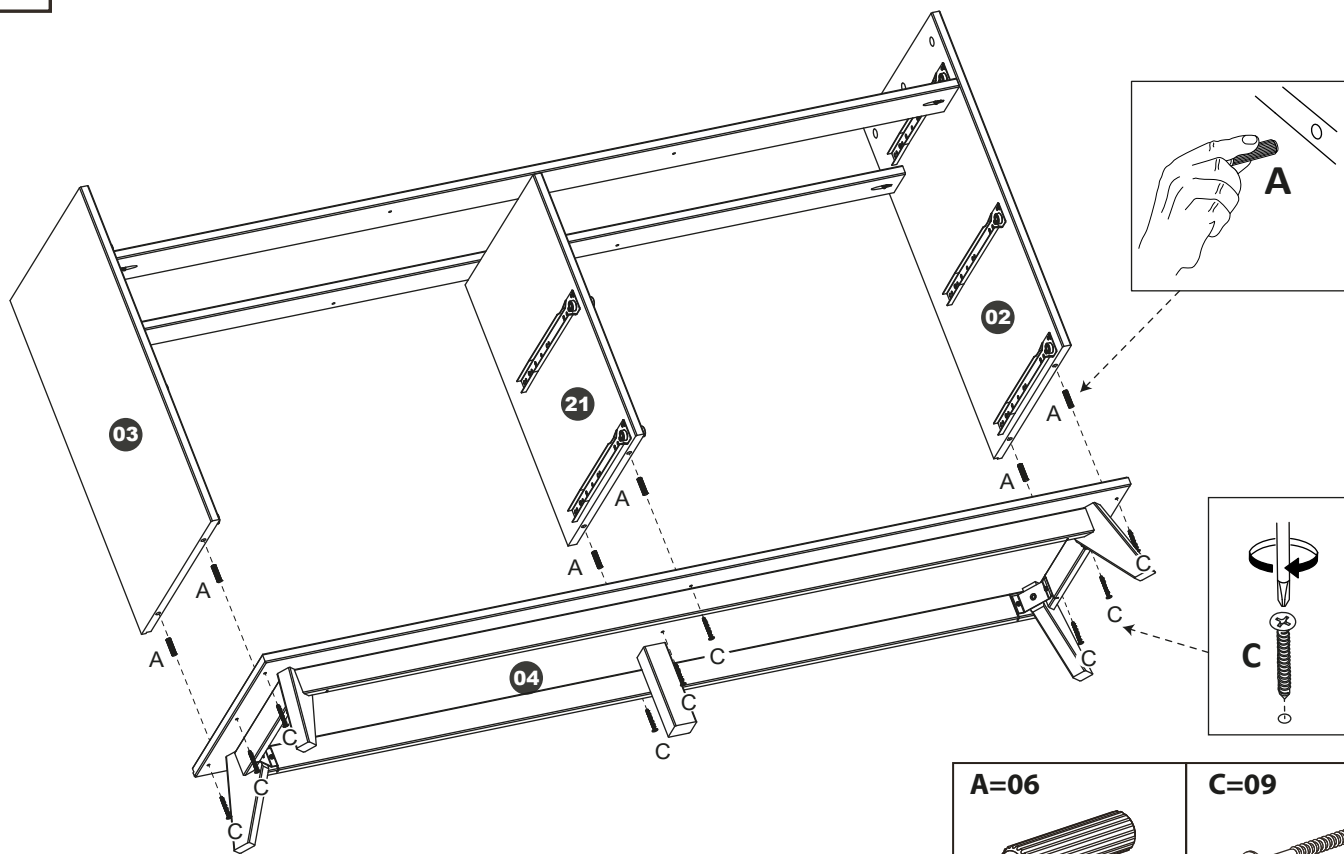
C=13

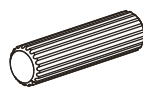
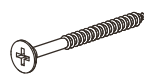


4,0 x 40mm

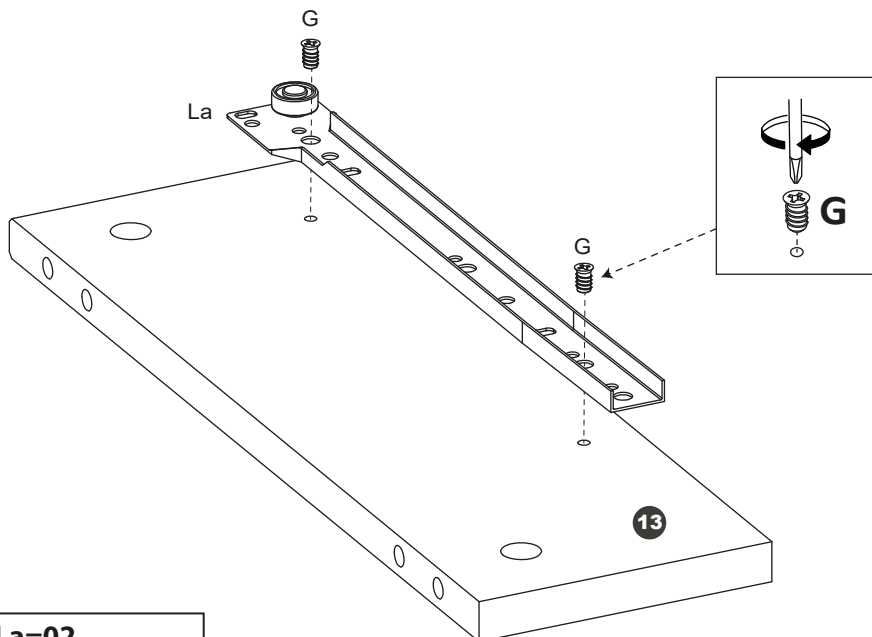
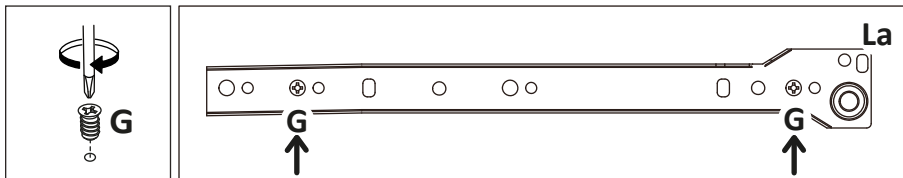



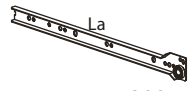
13



|   |   |
|---|---|
| <p><b>A=06</b></p>  <p>8,0 x 30mm</p> | <p><b>C=09</b></p>  <p>4,0 x 40mm</p> |
|---|---|

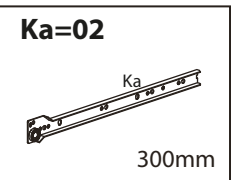
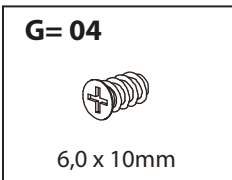
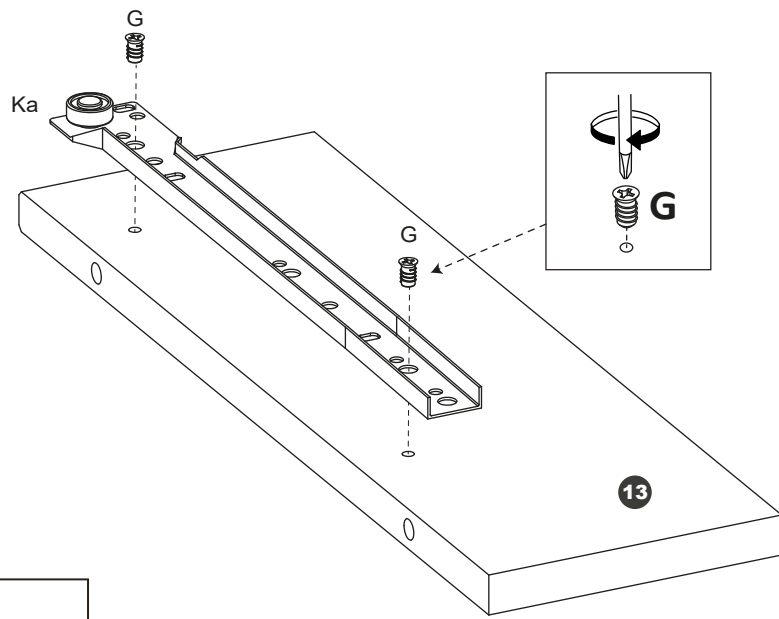
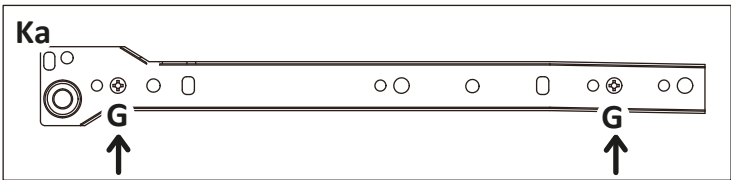
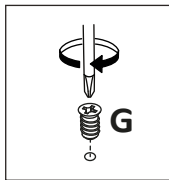
14 2x



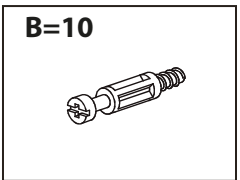
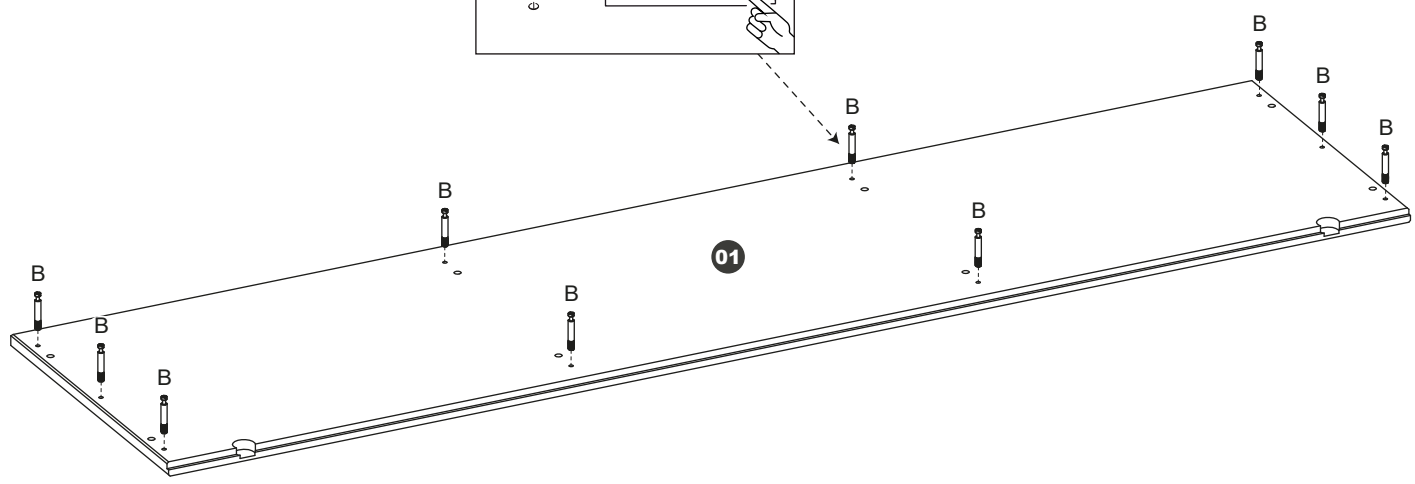
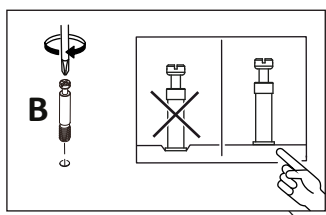
|   |  |
|---|--|
| <p><b>G= 04</b></p>  <p>6,0 x 10mm</p> | <p><b>La=02</b></p>  <p>300mm</p> |
|---|--|



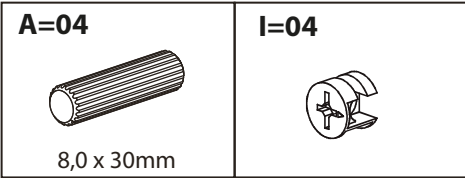
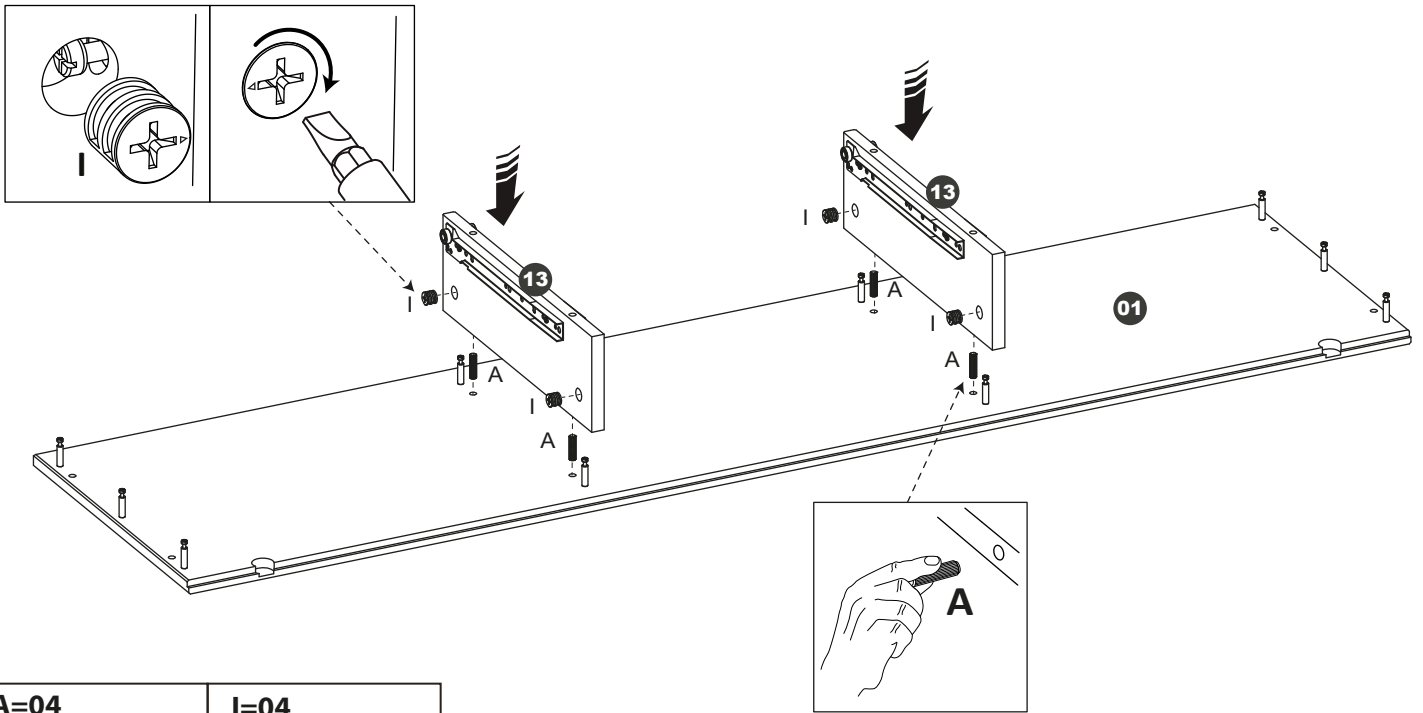
**15 2x**



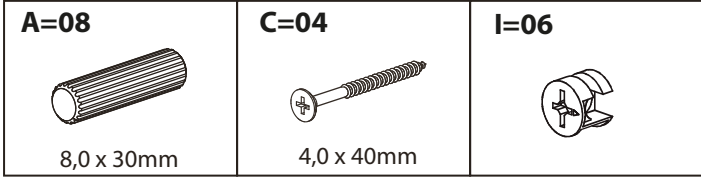
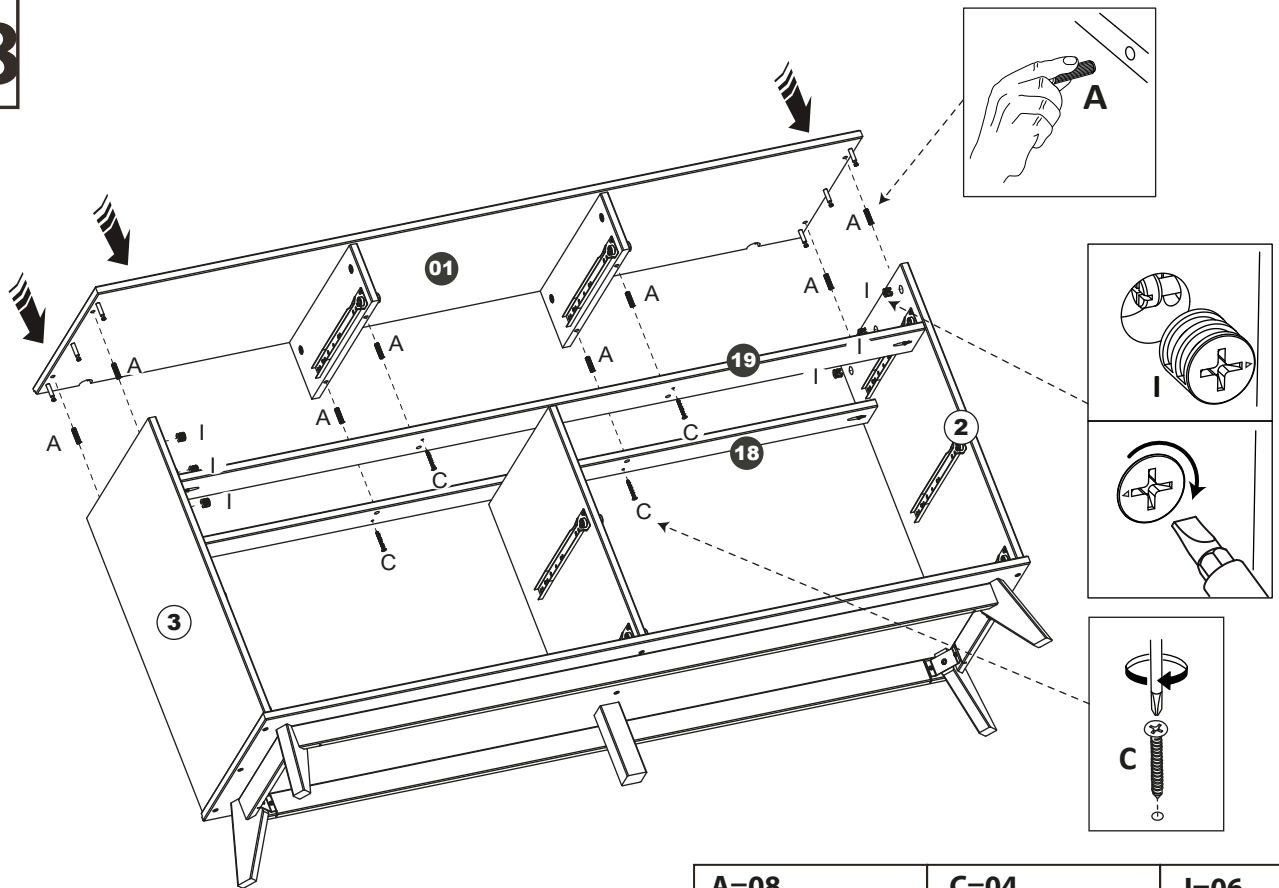
**16**



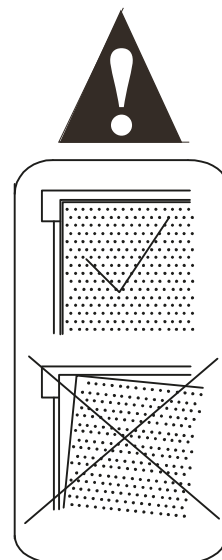
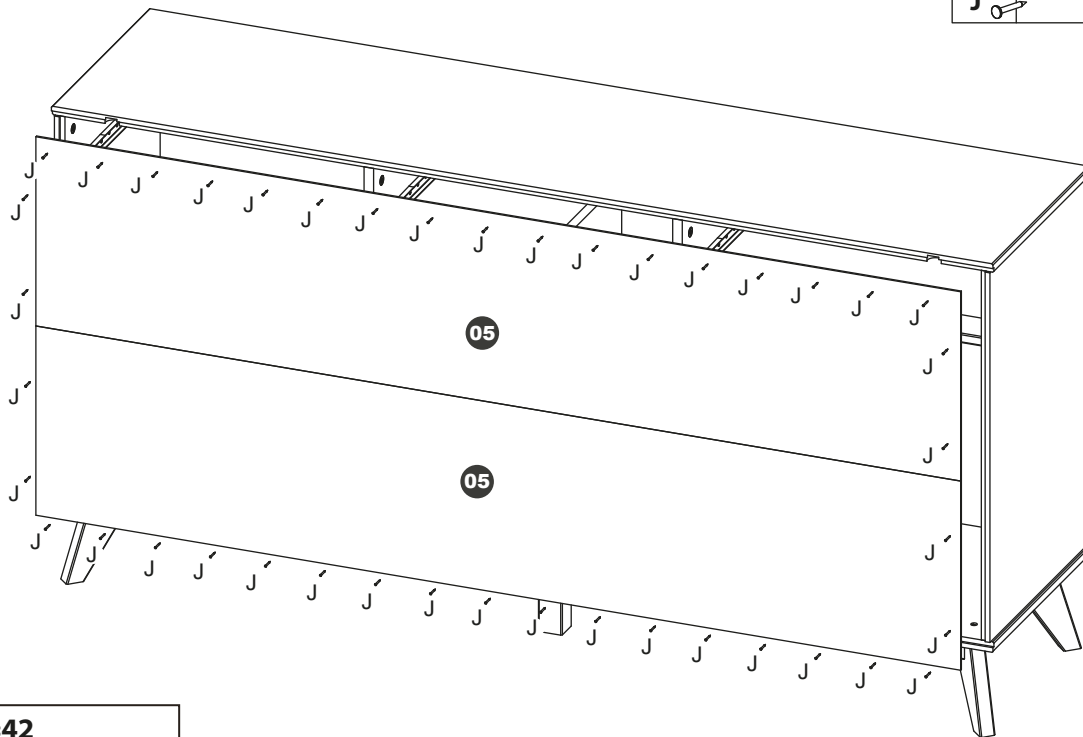
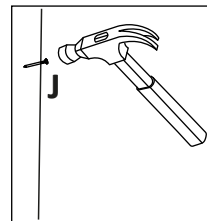
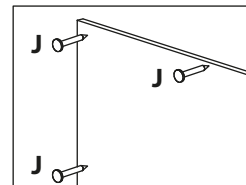
# 17



# 18



19

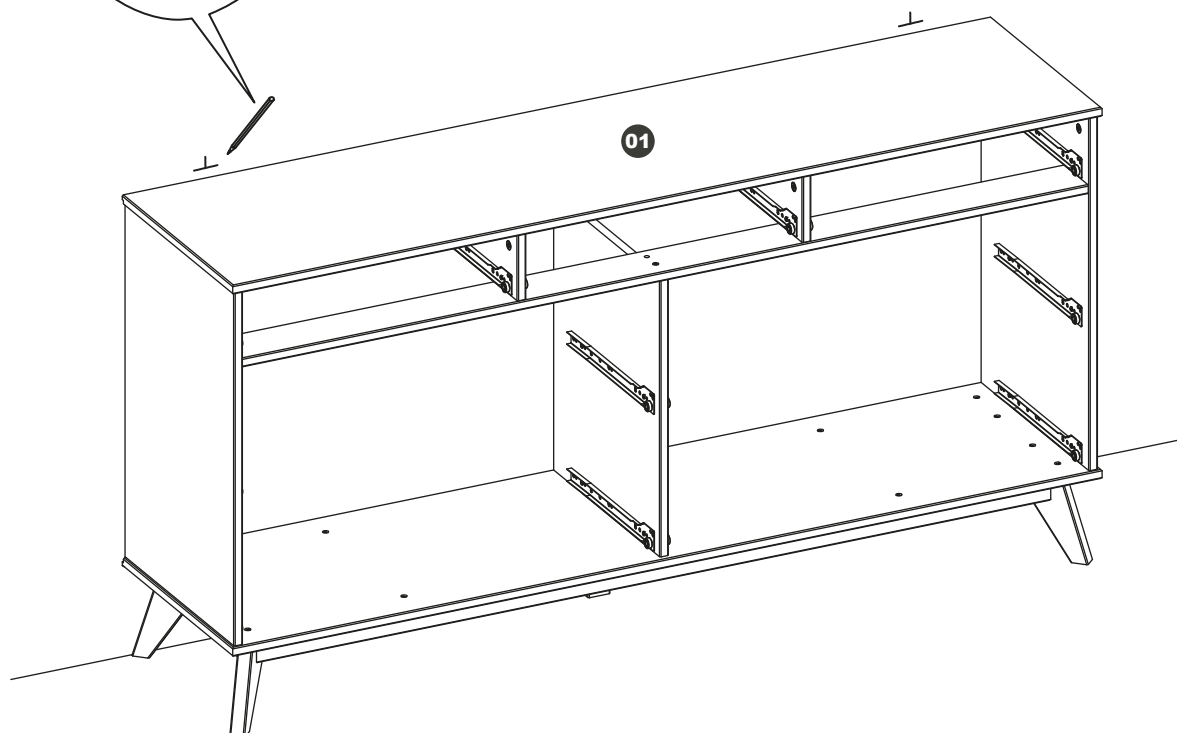
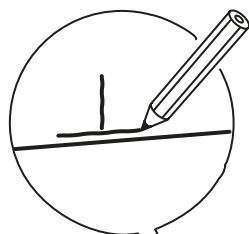


J=42

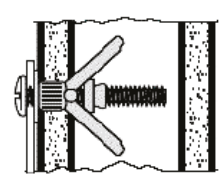
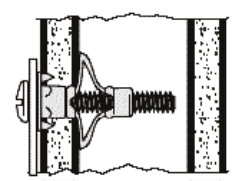
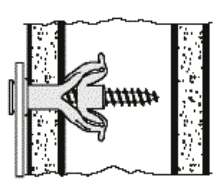
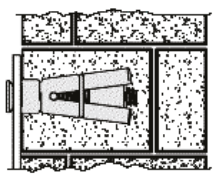
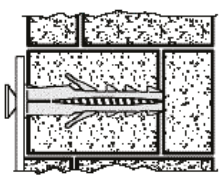
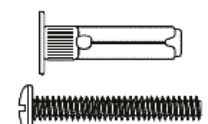
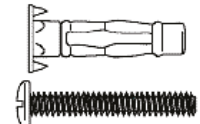
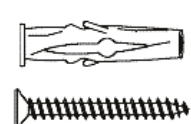
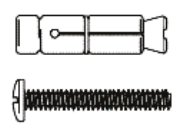
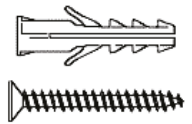
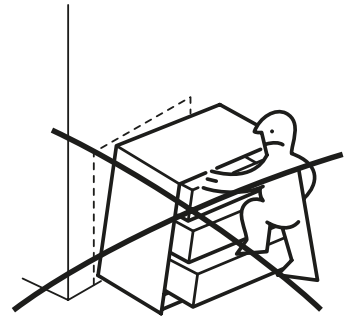
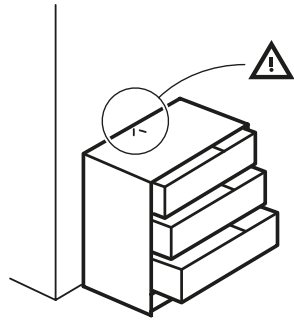
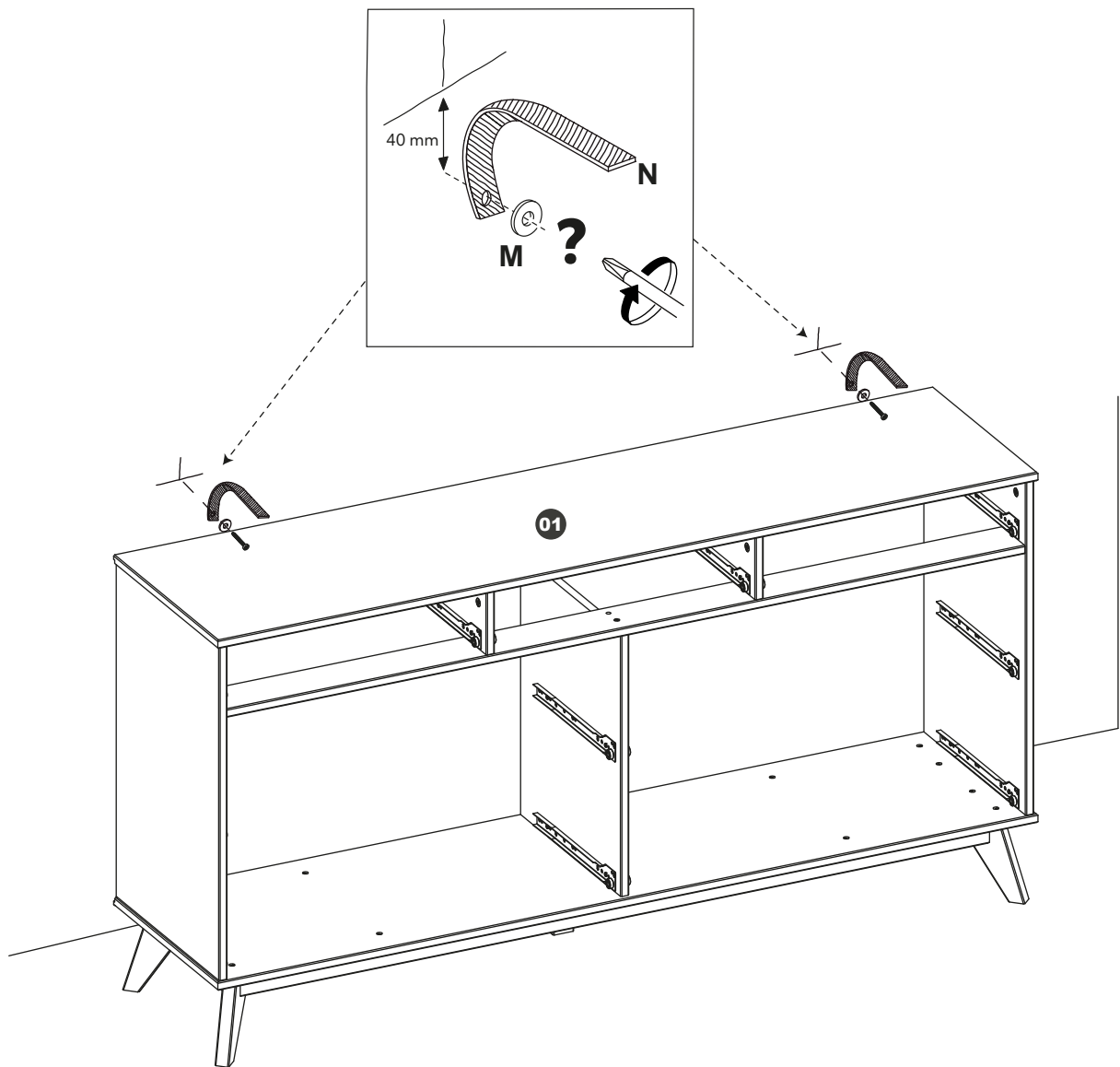


8,0 x 8,0mm

20

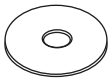


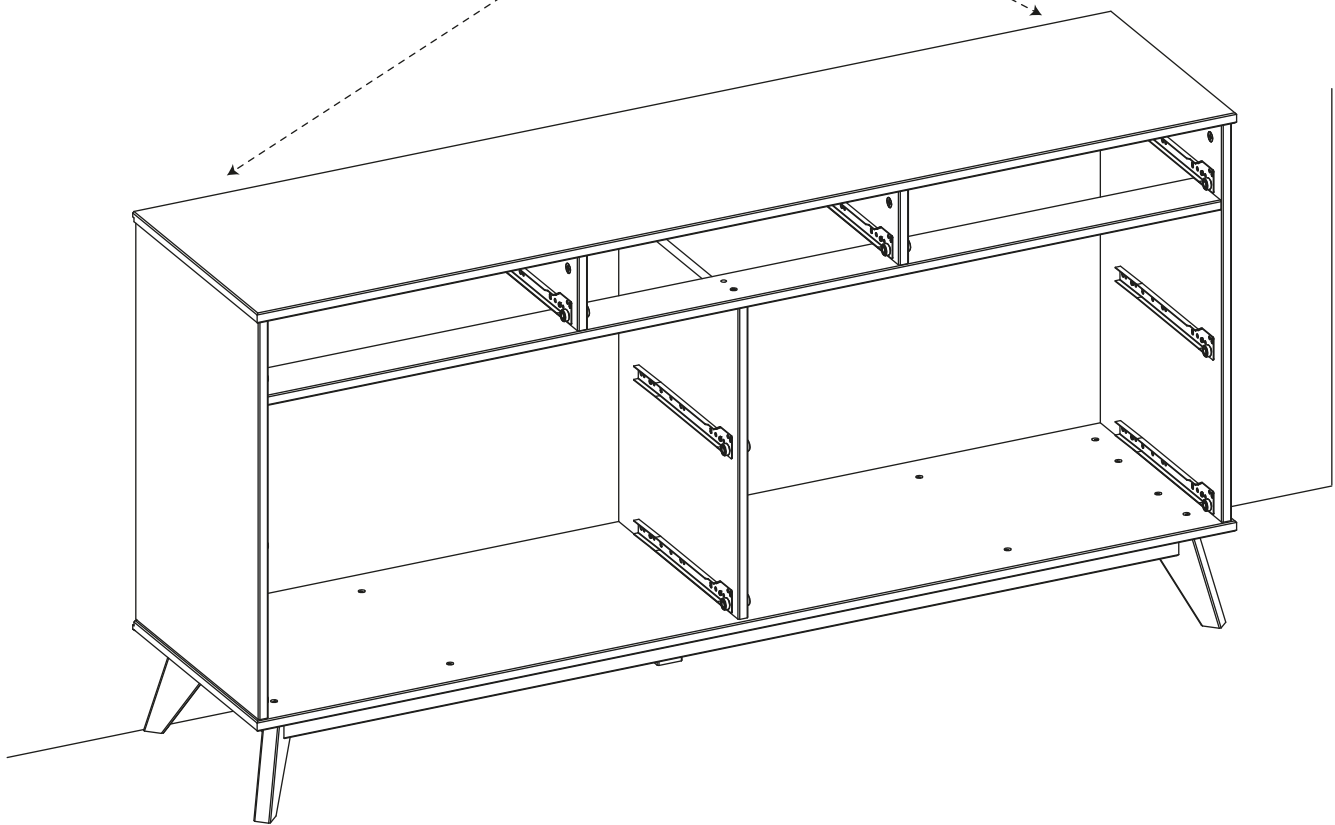
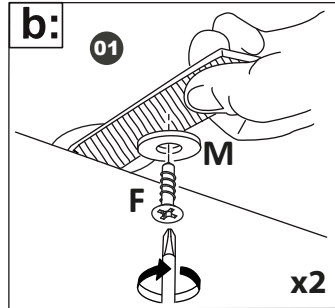
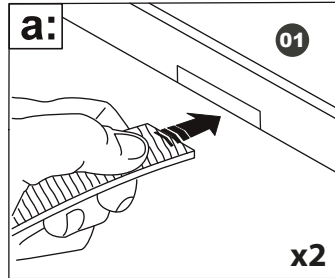
21

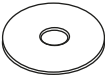



M=02

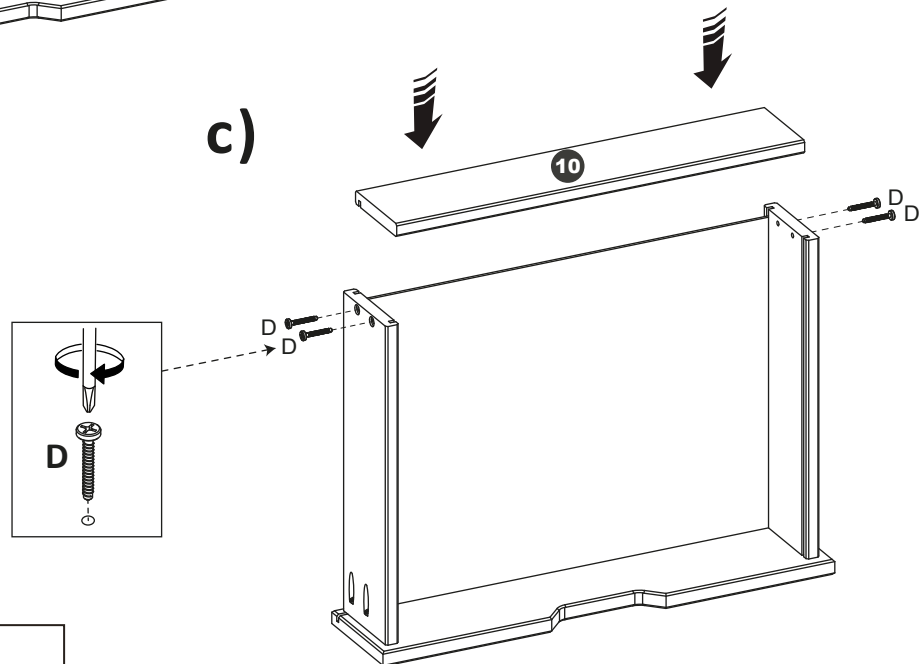
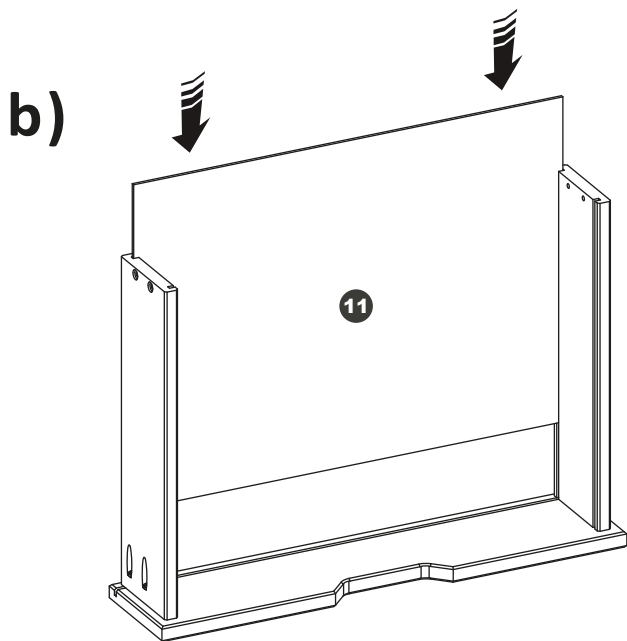
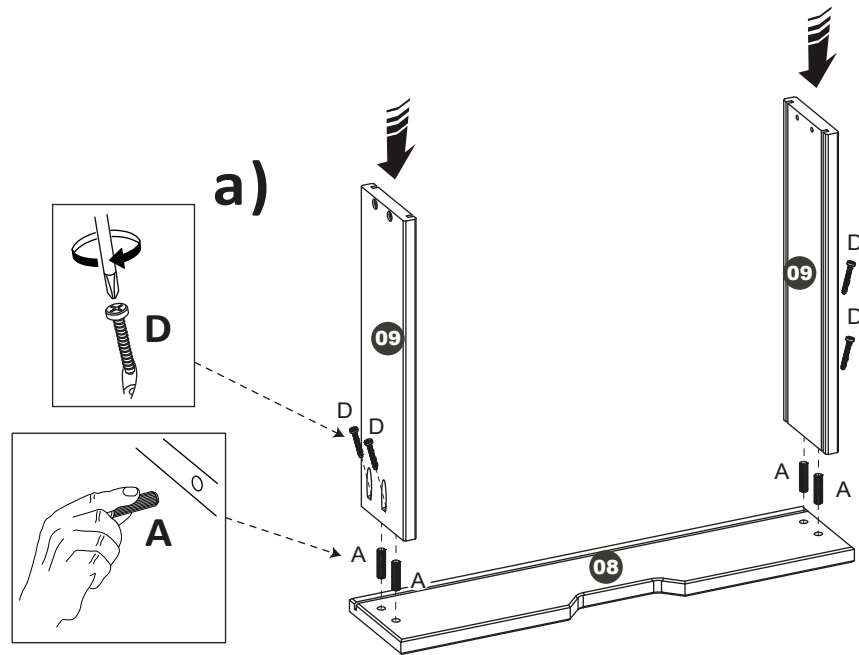
N=02







|   |   |
|---|---|
| <b>M=02</b>   | <b>F=02</b>   |
|  |  |
|   | 3,0 x 16mm  |

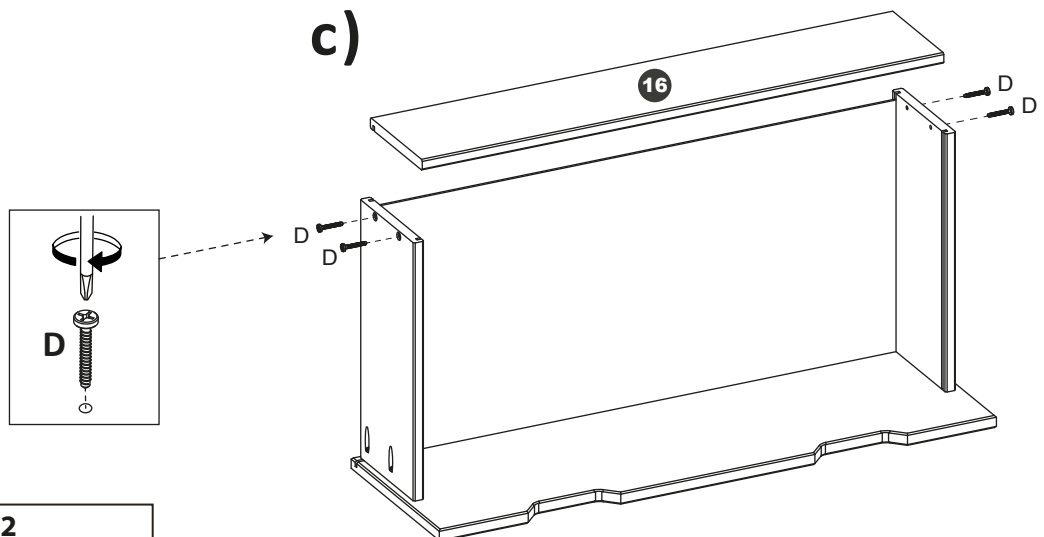
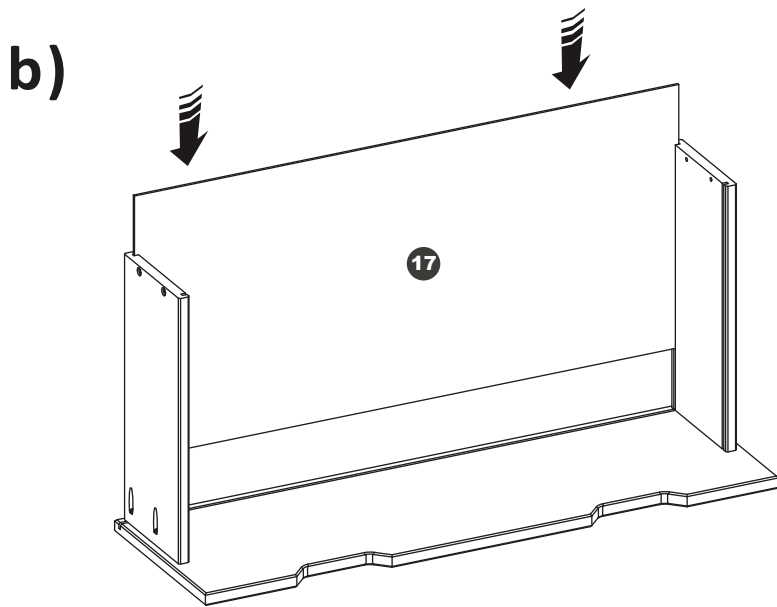
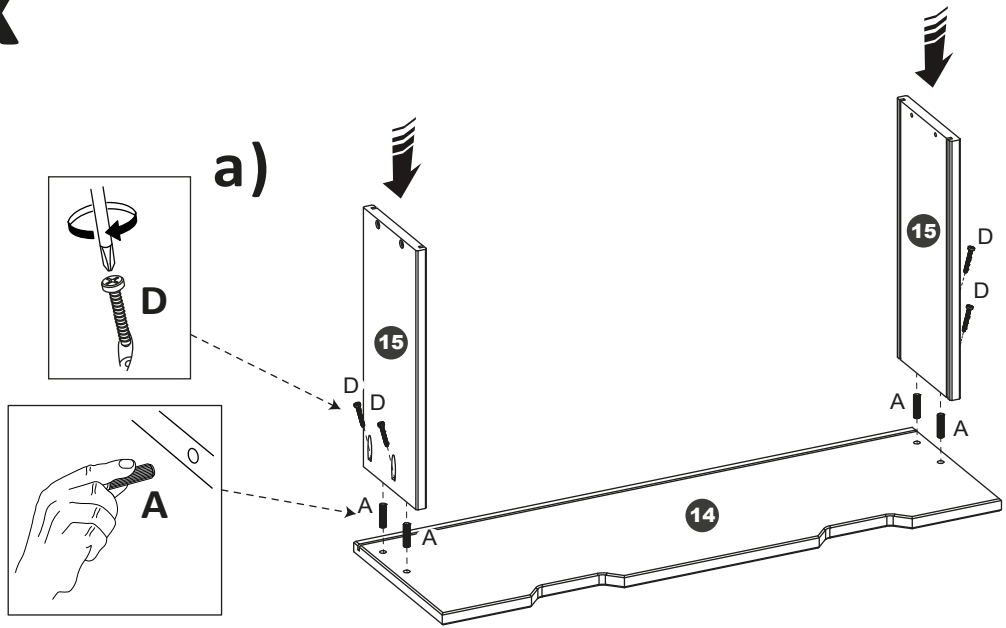
# 23 3x



|  |  |
|--|--|
| <b>A=12</b><br><br>8,0 x 30mm | <b>D=24</b><br><br>3,5 x 30mm |
|--|--|

24

4x



A=16



8,0 x 30mm

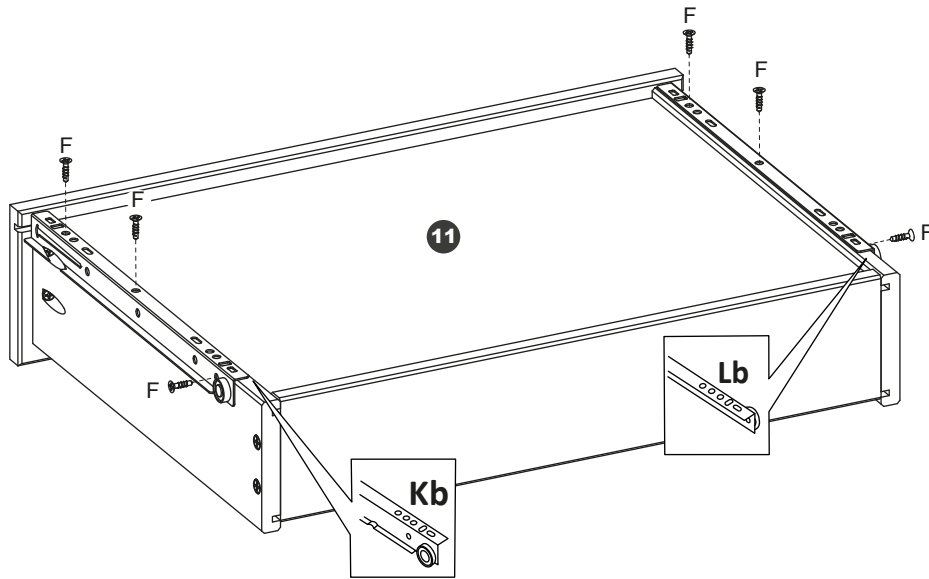
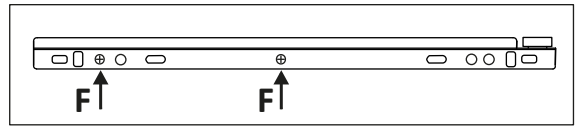
D=32

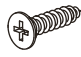
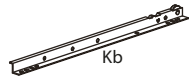
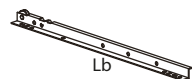


3,5 x 30mm

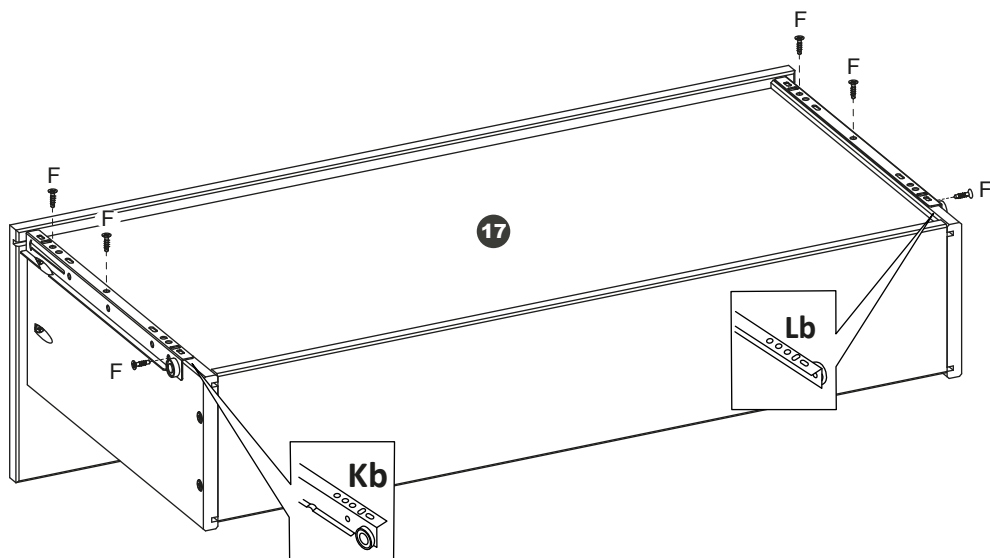
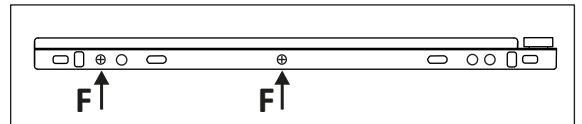



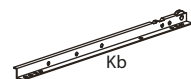
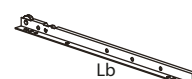
# 25 3x



|   |  |  |
|---|--|--|
| <p><b>F=18</b></p>  <p>3,0 x 16mm</p> | <p><b>Kb=03</b></p>  <p>Kb<br/>300mm</p> | <p><b>Lb=03</b></p>  <p>Lb<br/>300mm</p> |
|---|--|--|

# 26 4x



|  |   |   |
|--|---|---|
| <p><b>F=24</b></p>  <p>3,0 x 16mm</p> | <p><b>Kb=04</b></p>  <p>Kb<br/>300mm</p> | <p><b>Lb=04</b></p>  <p>Lb<br/>300mm</p> |
|--|---|---|

