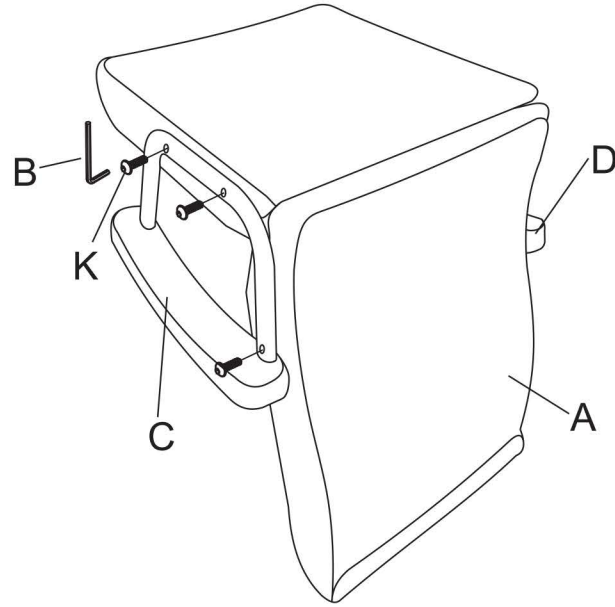
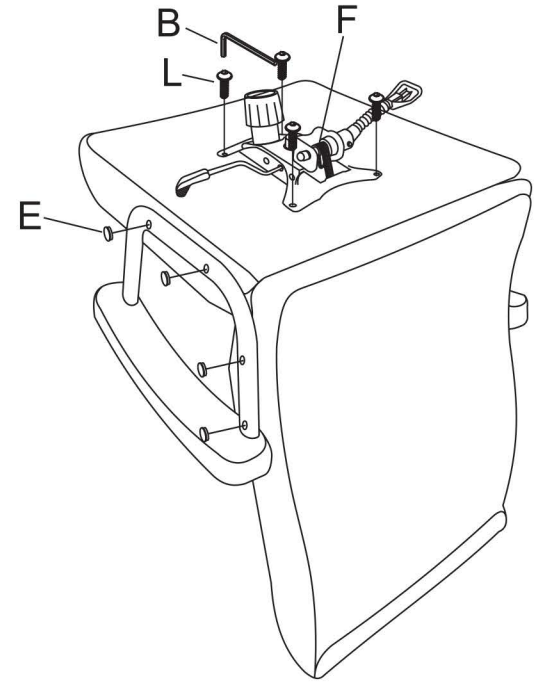




1



2



A x 1



B x 1



C x 1



D x 1



E x 8



F x 1



G x 1



H x 1



I x 1



J x 5

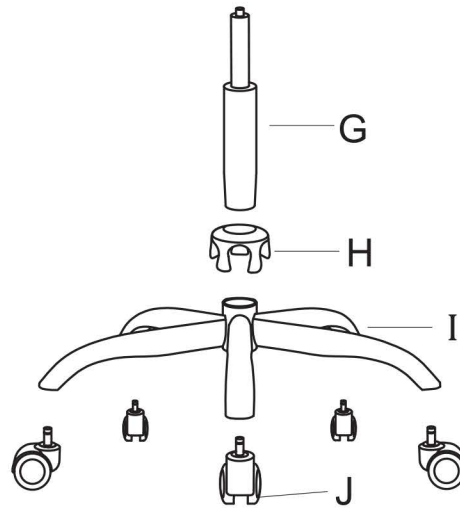


M6 x 25 mm K x 6



M6 x 20 mm L x 4

3



4

